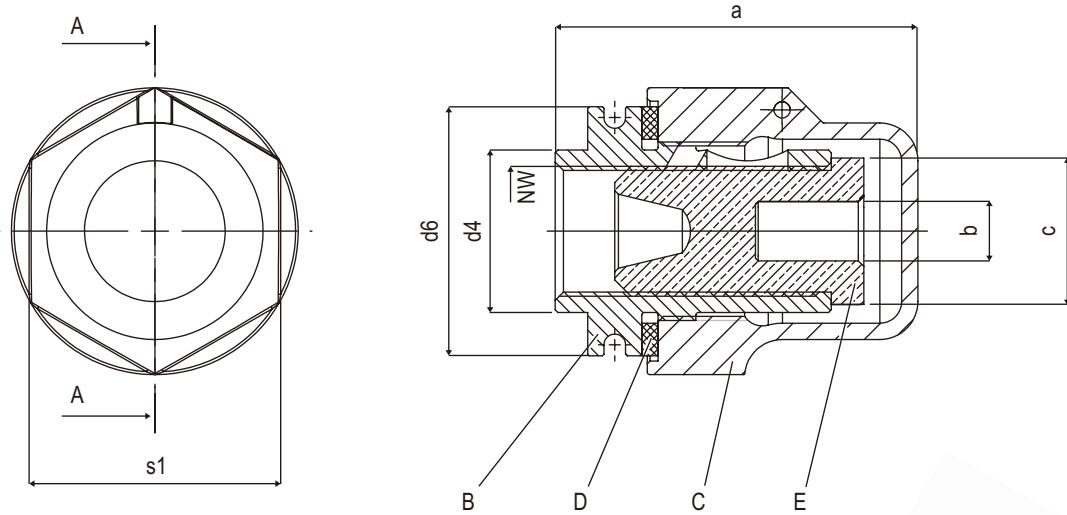
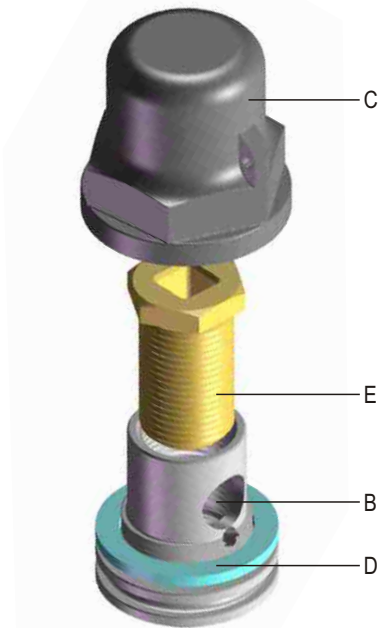


The oil draining device is to be welded in the transformer case. The device is to be used together with the connection pipe F DIN 42551 for draining the transformer case for regeneration purpose of the oil. The oil drain device remains tight even if the oil temperature rises to 100° C (Temperature Resistance: up to 100° C)



Brass stop plug is possible



NW	a	d4	b	c	s1 / d6	Weight
NW22	67	30	11	SW27	SW46	0.56 kg.
NW31	93	40	17	SW36	SW65	1.29 kg.
NW40	112	52	17	SW46	SW80	2,25 kg.

Q'ty	Code	Designation	Material
1	B	Drain Socket	S235JR
1	C	Stop Plug	Gg20
1	E	Gasket	AFM39
1	D	Packing Washer	Ms 58